

# Datasheet AO-06

## Oxygen sensor

- Linear output
- No external power supply
- Temperature compensation
- Fast response
- Accurate and reliable
- Anti-interference

## Product Summary

The AO-06 is an electrochemical oxygen sensor for oxygen concentration measurement and is designed specifically for medical equipment. AO-06 oxygen sensor interface model is 5520257-2. The sensor adopts molded body design, provides fast response and has long life. Domestic substitution can be realized. The sensor provides customers with superior quality while reducing costs.

The pin definitions of AO-06 oxygen sensor and AO-07 oxygen sensor are different.

## Application Scenarios

Using AO-06 requires no external power supply. Sensors have been calibrated before leaving the factory. To avoid the influence of temperature, temperature compensation function is applied in sensors. AO-06 can be used as the sensing component in oxygen analyzer, such as control component in oxygen generator, medical ventilator, anesthesia equipment, incubator.



Figure 1. AO-06 oxygen sensor

# 1. Sensor specifications

Table 1. Technical indicators of AO-06

MEASUREMENT <sup>1</sup>	
Operating principle	Partial pressure electrochemical
Output voltage	9 ~ 13 mV (in ambient air)
Measurement range	0 ~ 100%
Response time (T <sub>90</sub> )	< 15 s
Linearity	Linear 0% to 100% O <sub>2</sub>
ELECTRICAL	
Temperature compensation	< 2% O <sub>2</sub> equivalent (0 ~ 40 °C)
External load resistor	≥ 10 kΩ
Connector	P/N 5520257-2
MECHANICAL	
Housing material	White ABS
Weight	40 g (nominal)
ENVIRONMENTAL	
Operating temperature range	0 ~ 50 °C
Operating pressure range	0.5 ~ 2.0 bar
Operating humidity range	0 ~ 99% RH (non-condensing)
OTHER INDICATORS	
Long-term output drift in 100% O <sub>2</sub> <sup>2</sup> (voltage loss/year)	< 5%
Expected operating life	1.5 x 10 <sup>6</sup> % O <sub>2</sub> hours (20°C) <sup>3</sup> 0.8 x 10 <sup>6</sup> % O <sub>2</sub> hours (40°C)
Shelf life	13 months from date of dispatch

<sup>1</sup> The parameters without comment in parentheses in the table are obtained under the conditions of 20 °C, 50% RH, 1013 mbar and oxygen flow rate of 100 mL/min with the recommended circuit. Specifications outline the performance of sensors delivered within the first three months.

<sup>2</sup> Output signal can drift below the lower limit over time.

<sup>3</sup> For example: under the condition of 20 °C, 50% O<sub>2</sub>, the expected service life of the oxygen sensor is (1.5 × 10<sup>6</sup> / 50 ) hours = 3 × 10<sup>4</sup> hours.

## 2. Dimensions

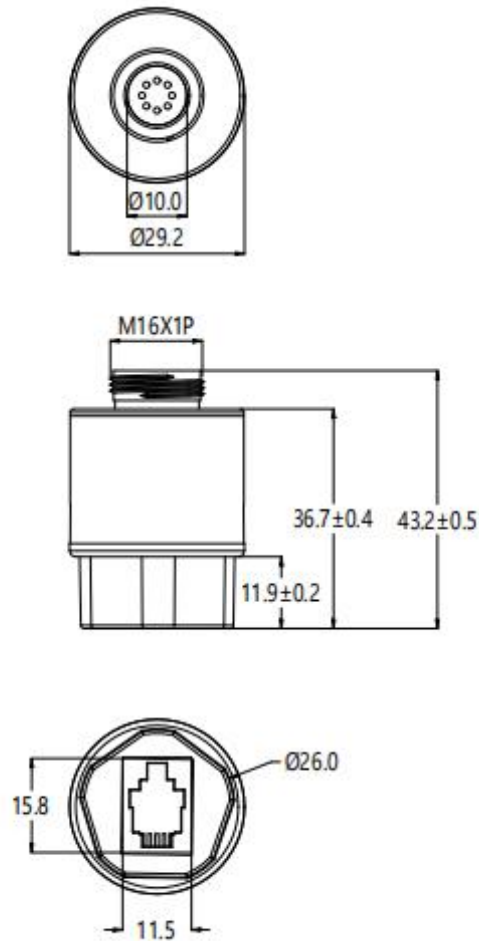


Figure 2. AO-06 outline dimensions (unit: mm, other unmarked tolerances:  $\pm 0.2$  mm)

## 3. Installation and use

### 3.1 Installation requirements

Please tighten the sensor with hands and ensure a good airtightness when installing the sensor. Do not use wrenches and similar mechanical tools to prevent damage to the sensor threads due to excessive force.

### 3.2 Storage and use

AO-06 oxygen sensor has to be kept away from high concentrations of organic solvent vapors during storage, installation and operation.

Before installing the sensor on a printed circuit board (PCB), the PCB should be cleaned with a degreasing agent to prevent the contamination on gas-permeable membrane. For example, rosin from volatilizing and condensing can block the gas-permeable membrane in the oxygen sensor. Do not use organic solvents on the sensor housing, as solvents may cause cracking of plastics.

### 3.3 Cleaning

In case of the sensor contamination, the sensor should be cleaned with distilled water and naturally dried. The sensor is not suitable to be sterilized by steam or to be exposed in chemicals, such as ethylene oxide or hydrogen peroxide.

### 3.4 Recommended circuit

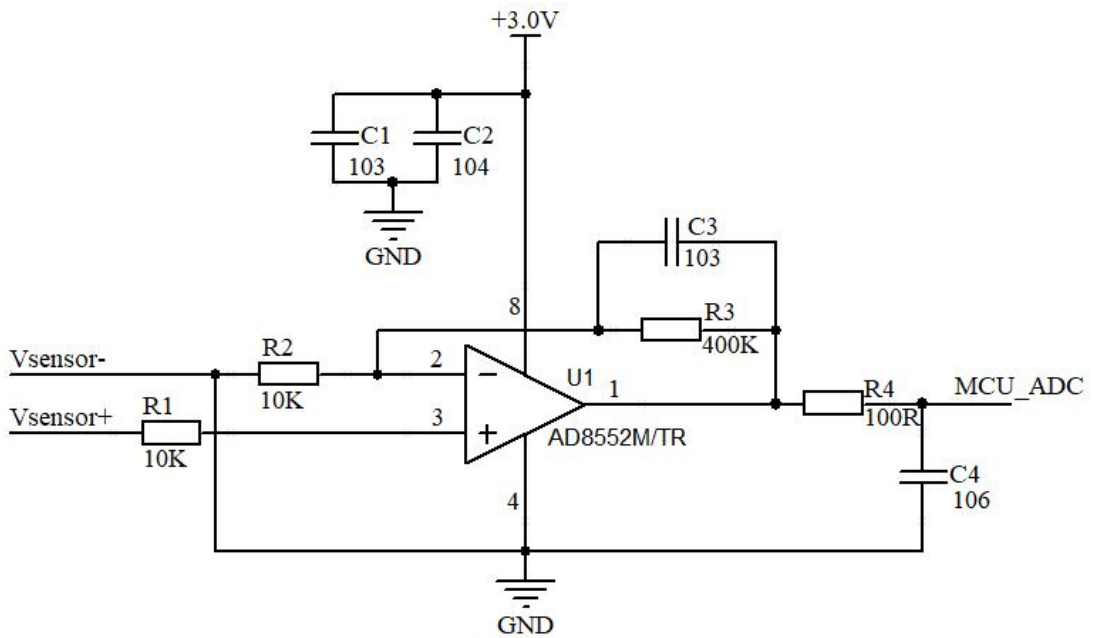


Figure 3. AO-06 recommended application circuit diagram

- Short-circuit the positive and negative pins (Vsensor+ and Vsensor-), read the amplified ADC value (MCU\_ ADC), and record it as A<sub>0</sub>.
- Place the sensor in the air, read the amplified ADC value, record it as A<sub>1</sub>.
- Place the sensor in the environment to be tested, read the amplified ADC value, and record it as A<sub>x</sub>.
- The formula for calculating the oxygen concentration in the environment for measurement is:

$$\text{Oxygen Concentration} = \frac{(A_x - A_0) \times 20.9}{(A_1 - A_0)} \times 100\%$$

### 3.5 Pin definition

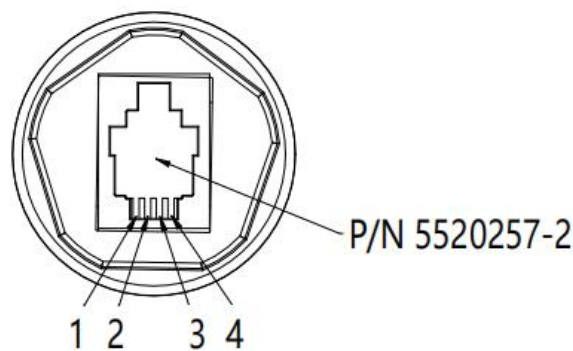


Figure 4. AO-06 pin definition diagram

AO-06 oxygen sensor interface model is 5520257-2. In Figure 4, pin 2 is the negative pin, pin 3 is the positive pin, and pin 1 and pin 4 are not connected.

## Warning and personal injury

Do not apply this product to safety protection devices or emergency stop equipment, and any other applications that may cause personal injury due to the product's failure. Do not use this product unless there is a special purpose or use authorization. Refer to the product datasheet and application guide before installing, handling, using or maintaining the product. Failure to follow this recommendation may result in death and serious personal injury.

The Company will not bear all compensation for personal injury and death arising therefrom, and will exempt the company's managers and employees, affiliated agents, distributors and other claims that may arise therefrom, including various costs, claims, lawyers fees, etc.

## Quality assurance

Guangzhou Aosong Electronic Co., Ltd. provides the following quality guarantee to the direct buyers of its products (from the date of delivery), based on the technical specifications in the data manual of the products published by Aosong as the standard. Within the warranty period, if the product is confirmed to be defective, the company will provide free repair or replacement.

Description of warranty period

Accessories category	Shelf Life
AO-06 oxygen sensor	13 months

The company is only responsible for products that are defective when used in applications that meet the technical conditions of the product. The company does not make any guarantees or written statements about the application of its products in those special applications. At the same time, the company does not make any promises about the reliability of its products when applied to products or circuits not provided by Aosong.

This manual may be changed at any time without notice.

Guangzhou Aosong Electronic Co., Ltd. reserves the right of final interpretation of this product.

Copyright ©2024, ASAIR®